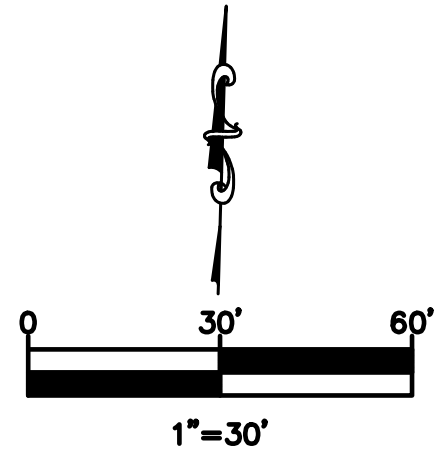


PROJECT DESCRIPTION:

INSTALL NEW CONFORMING 160 SF RESIDENTIAL DOCK ON LAKE KATHLEEN. PIER PORTION (10' X 4') TO BE ACZA TREATED FIR FRAMED WITH THRUFLOW GRATED PANELS AND SUPPORTED BY FOUR 4" DIAMETER GALVANIZED STEEL PILES. FLOAT TO BE 4' X 20' WITH ACZA TREATED FIR FRAMING, THRUFLOW GRATED PANELS AND VINYL COVERED FLOTATION. RAMP TO BE 10' X 4' TO BE WOOD OR METAL WITH THRUFLOW GRATED PANELS.

LEGAL DESCRIPTION:

BEG AT S 1/4 COR TH NLY ALG 1/4 LN N 02-08-55 E 523.03 FT TH N 27-38-54 W 138.16 FT TH N 20-38-54 W 8.81 FT TO TRUE BEG TH N 20-38-54 W 85.56 FT TH S 89-52-54 E TO SWLY SH LAKE KATHLEEN TH SELY ALG SD SH TO A PT BEARING N 89-52-54 W TO TRUE BEG TH N 89-52-54 W TO TRUE BEG

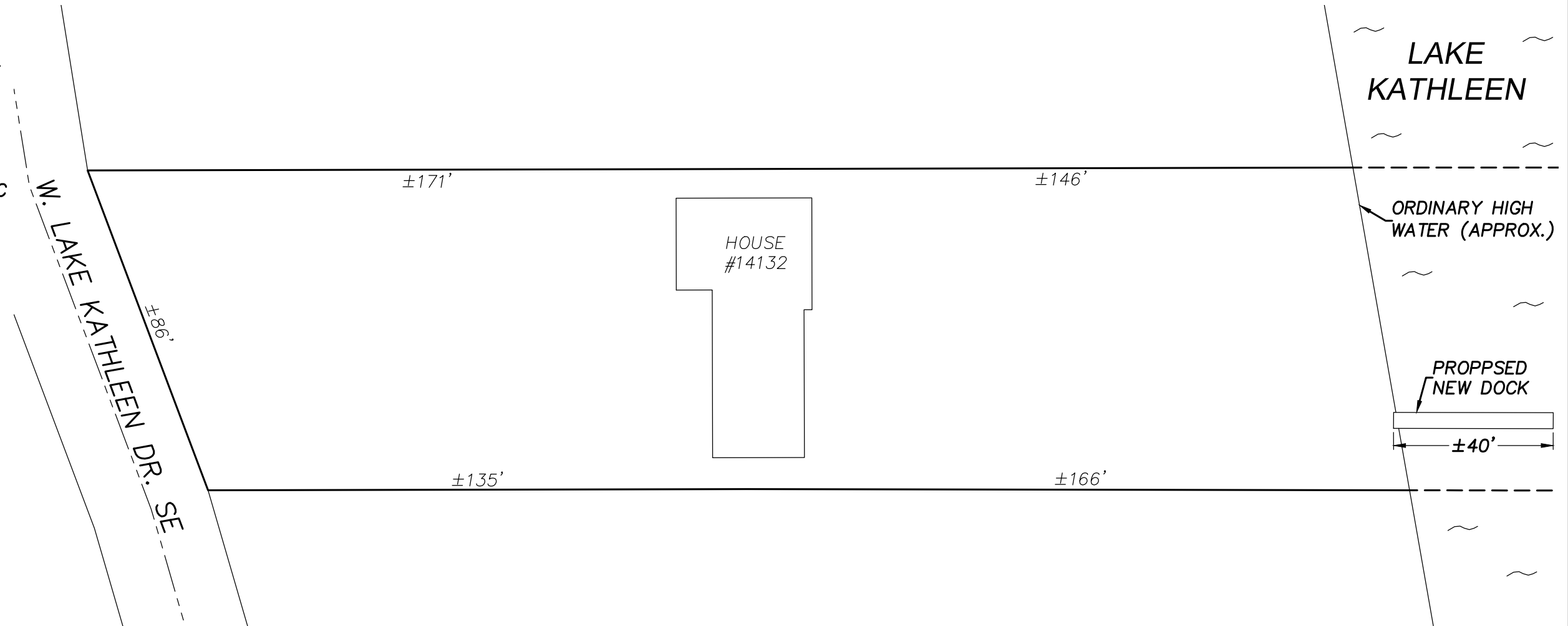


PROPERTY OWNER:

LINDSAY AND KYLE MCCLELLAN
14132 W. LAKE KATHLEEN DR. SE
RENTON, WA 98059

CONTACT:

IRWIN LAND USE CONSULTING, LLC
P.O. BOX 1715
BELLINGHAM, WA 98227
(360) 410-6745
irwinlanduse@gmail.com



*LOT DIMENSIONS AND BUILDING LOCATIONS PER SADLER/BARNARD & ASSOC. SURVEY AF#20150922900011. DOCK DIMENSIONS AND WATER DEPTHS PER LAKESIDE CONSTRUCTION.

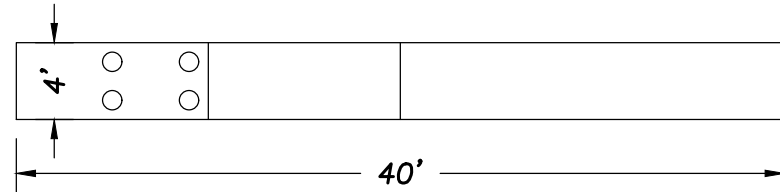


P.O. BOX 525
ISSAQUAH, WA 98027
(206) 850-0250
sales@lakesideseattle.com

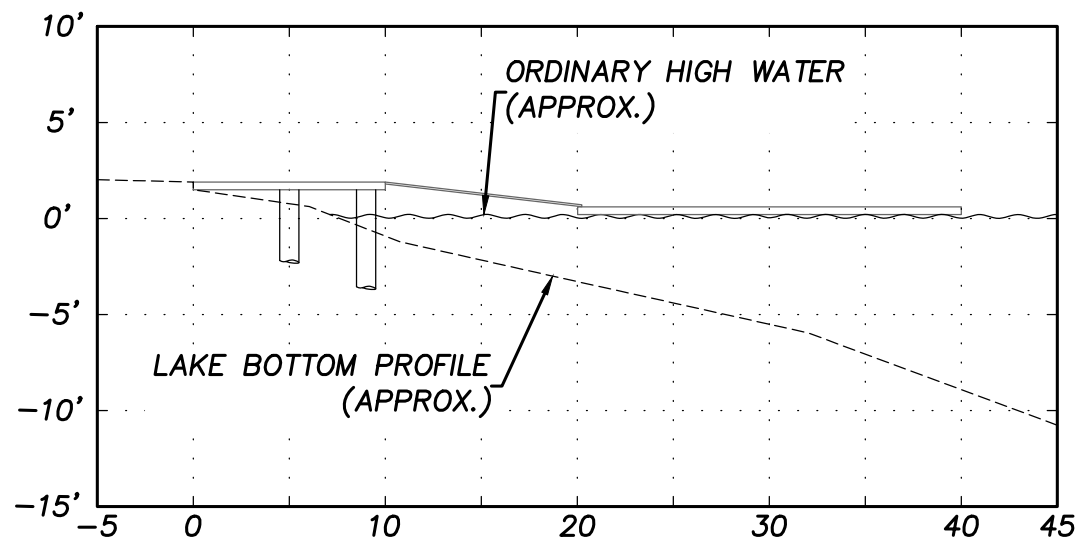
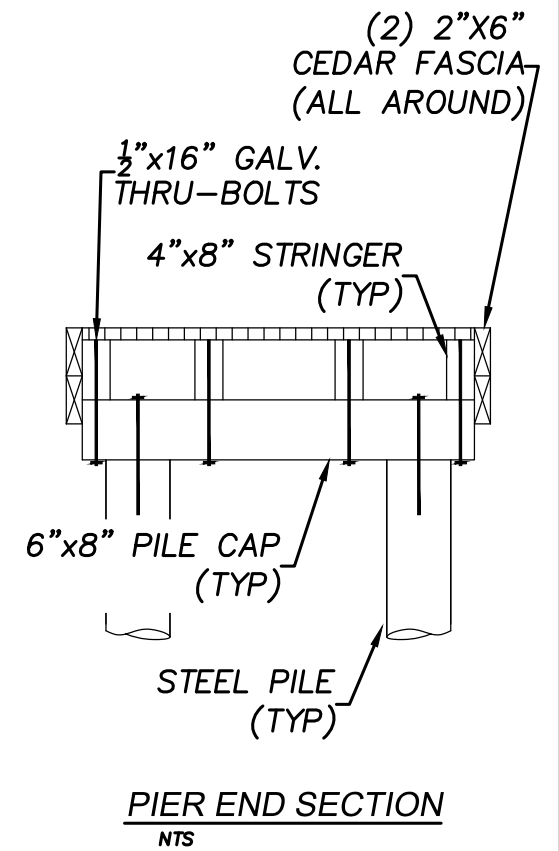
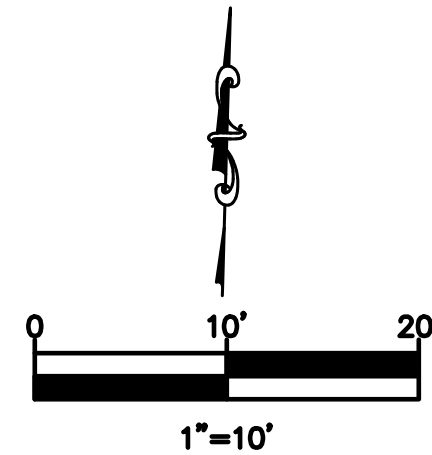
REV	DATE	BY	DESCRIPTION

MCCLELLAN
NEW DOCK
14132 W. LAKE KATHLEEN DR. SE
RENTON, WA 98059

PROJECT NUMBER:	2035
PARCEL NUMBER:	1823069046
ISSUE DATE:	6/22/2020



DOCK LAYOUT
SCALE: 1"=10'



DOCK PROFILE
SCALE: 1"=10'



P.O. BOX 525
ISSAQUAH, WA 98027
(206) 850-0250
sales@lakesideseattle.com

REV	DATE	BY	DESCRIPTION

MCCLELLAN
NEW DOCK
14132 W. LAKE KATHLEEN DR. SE
RENTON, WA 98059

PROJECT NUMBER:	2035
PARCEL NUMBER:	1823069046
ISSUE DATE:	6/22/2020