

# BEULAH PARK PLAT WASTEWATER TREATMENT SYSTEM

*Unique to your neighborhood!*

As a resident of the Beulah Park and Cove communities, you play a critical role in the proper operation of your wastewater treatment system.

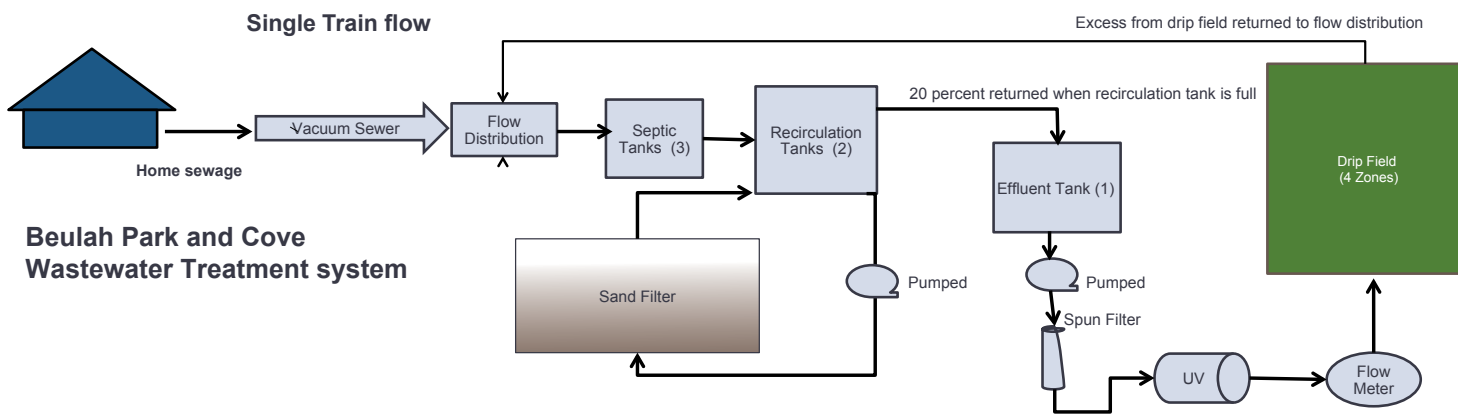
**Your sewage system is not a typical municipal system where the wastewater from your home goes to a large treatment plant. Instead, it is a large onsite septic system regulated by the Washington State Department of Health.** This flier offers some tips to help make sure your treatment and disposal system operates well and protects public health and the environment long into the future.



## HOW YOUR SYSTEM WORKS

A vacuum system collects wastewater from individual homes and sends it to the treatment system. The wastewater is treated in a series of septic tanks to settle out solids. A recirculating gravel filter biologically removes more solids and dissolved pollutants.

Next, the treated wastewater is disinfected in an ultraviolet chamber and pumped up to the community drain field. By the time the wastewater reaches the drain field, the treatment system has removed more than 90 percent of the solids and disinfected the water. In the drain field, subsurface drip irrigation discharges the highly treated water into the soil about 10 inches beneath the grass. Located in the open space at the corner of Southwest 172nd Street and 136th Place Southwest, the system's drain field is safe for passive recreational use like walking and sitting by Beulah Park residents.



Beulah Park and Cove  
Wastewater Treatment system

## Tips to help make sure your system works properly

- 1. Avoid flushing harmful materials into the system.** The treatment system uses biological treatment and can be harmed by materials put down the drain. Never put grease, paper (except toilet paper), cigarettes, coffee grounds, sanitary napkins, solvents, oils, paint, acidic or caustic chemicals, or pesticides into your drain. For information on the proper disposal of hazardous household waste, call the Hazards Hotline at 206-296-4692.

If you are unsure how to dispose of something, go to [www.kingcounty.gov](http://www.kingcounty.gov) and search What do I do with.

(continued on reverse)



**King County**

Department of Natural Resources and Parks

**Wastewater Treatment Division**

[www.kingcounty.gov/wtd](http://www.kingcounty.gov/wtd)

- 2. Use water wisely.** The treatment system could be overloaded if it gets more water than it's designed to manage, leading to operating problems.

**Reduce the risk of water overloads. Please consider:**

- using "low flow" faucet aerators, shower nozzles and toilets
- buying a front-loading washing machine that uses much less water than top-load models
- doing laundry throughout the week rather than all on a single day
- repairing leaky faucets and toilets
- taking short showers
- not flushing the toilet each time it is used
- not letting water run while brushing teeth, shaving or rinsing dishes
- making sure no rain water enters the sewage system

**For more suggestions, check the Web at**

**[www.kingcounty.gov/services/environment/wastewater/education/protect-environment/less-water.aspx](http://www.kingcounty.gov/services/environment/wastewater/education/protect-environment/less-water.aspx)**

- 3. Limit garbage disposal use.** A garbage disposal can lead to a significant increase in food solids build-up. They are not recommended for use in your system. If your house already has one, limit the amount it is used. Try composting. **For more information, check the Web at [www.kingcounty.gov](http://www.kingcounty.gov)** and search for "composting"

- 4. Protect your investment. The drain field is paid for by the residents it serves. Things to consider when using the drain field:**

- **Don't dig, drive stakes or plant anything in the drain field.**

Grass has been planted on the drain field and is the best cover.

King County mows the grass periodically. Please avoid any activities

that could damage the drain field, such as driving stakes into the ground or playing lawn darts.

- **If you walk your dog on the drain field.** Be sure to scoop up the poop afterwards and dispose of it properly. Also, keep your dog from digging.
- **Help keep ivy and other plants from invading the drain field.**

Keep the plants on your property under control and off the drainage field! Maintain vegetation to prevent encroachment of trees, shrubs and invasive weeds. Plants and tree roots can clog the drain field.

- **Report problems.** Odors, wet spots in dry weather or exposed pipes may be an early sign of a problem. **Report any problems by calling King County 24-hour plant emergency number at 206-263-1760.**



**For more information:**

- **Visit King County's website at [www.kingcounty.gov/depts/dnrp/wtd/system/vashon](http://www.kingcounty.gov/depts/dnrp/wtd/system/vashon).**
- Call the Vashon Island Sewer District at 206-463-9219 for questions about system hookups or billing.

**PLEASE JOIN US IN  
HELPING TO PROTECT  
THE INVESTMENT IN  
YOUR COMMUNITY.**



**King County**

Department of Natural Resources and Parks

**Wastewater Treatment Division**

201 S. Jackson St., KSC-NR-0505

Seattle, WA 98104-3855

Alternate Formats Available.

Call 206-477-5371 or TTY:711

Printed on recycled paper. Please recycle.

1205\_2649\_BeulahSepticFlyer.indd skrau

