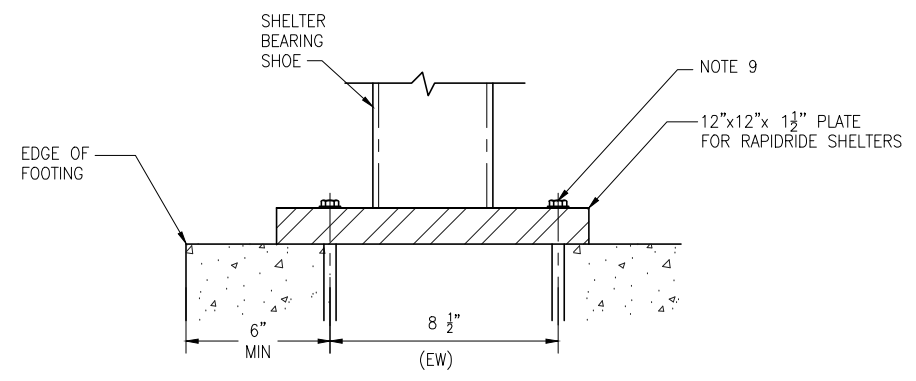
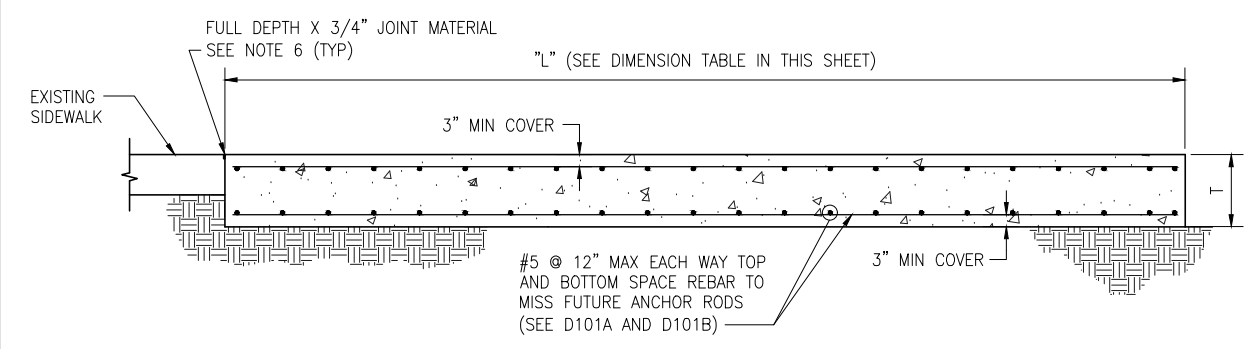


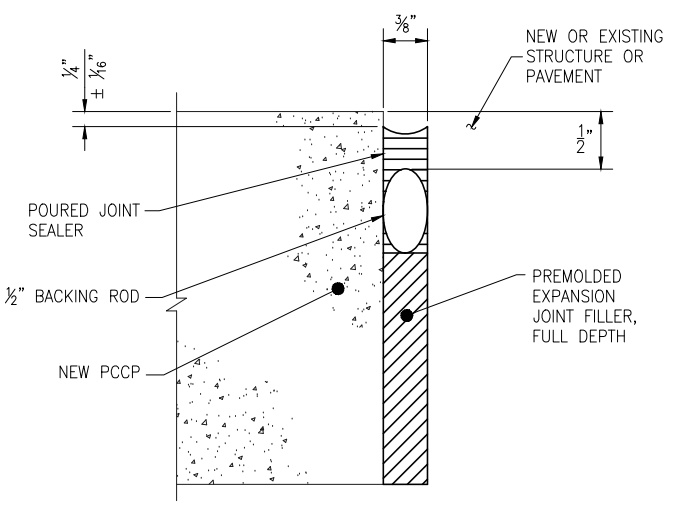
FOOTING PLAN
DETAIL 1
 SCALE: NONE
 (SEE FOOTING DIMENSION CHART THIS SHEET)



RAPIDRIDE SHELTER REAR LEG INSTALLATION
DETAIL 2
 SCALE: NONE



FOOTING SECTION
SCALE: NONE



ISOLATION JOINT DETAIL
SCALE: NONE

RAPIDRIDE SHELTER FOOTING DIMENSIONS												
RAPIDRIDE FOOTING	SHELTER FRAMES	LENGTH 'L' (MIN)	WIDTH 'W' (MIN)	A	B	C (NOTE 10)	D (NOTE 10)	E	F (NOTE 10)	THICKNESS 'T' (MIN)	CONCRETE (CY)	REBAR (LBS)
RR-10	RR-124, RR-125, RR-126, F21	9'-8"	4'-4"	1'-6 3/4"	3'-3 1/4"	4'-2"	8"	10 3/4"	8"	14"	2	190
RR-15	RR-206, RR-208, RR-208B, F21, F11	15'-0"	8'-0"	1'-4 3/4"	6'-1 1/4"	6'-10"	8"	10 3/4"	8"	18"	7	532
RR-20	RR-206, RR-208, RR-208B, F22	20'-0"	5'-0"	3'-10 3/4"	6'-1 1/4"	9'-4"	8"	10 3/4"	8"	18"	6	451

* "D" INCREASES IF "L" IS LARGER THAN STANDARD DIMENSION.

(SEE NOTE 10)

GENERAL NOTES

- INSTALL A PK NAIL AT THIS CORNER IF SHELTER FOOTING IS INTERGRATED INTO OTHER CONCRETE SURFACES. DIMENSIONS "A", "B" AND "C" ARE OFFSET FROM THIS POINT OF REFERENCE. SEE DRAWINGS D101A AND D101B FOR REBAR LAYOUT DETAILS.
- PROVIDE MAX 2% SLOPE TOWARDS STREET TO ASSURE PROPER DRAINAGE OF SURFACE WATER UNLESS DIFFERENT SLOPE IS SPECIFIED ON SITE PLAN.
- CONTRACTOR SHALL COORDINATE WORK WITH RELATED WORK INCLUDING ELECTRICAL.
- VERIFY AND LOCATE ALL EXISTING UTILITIES PRIOR TO STARTING WORK; CONDUCT OPERATIONS IN A MANNER WHICH ENSURES THAT THE UTILITIES WILL NOT BE DISTURBED OR ENDANGERED, AND ASSUME FULL RESPONSIBILITY FOR ANY DAMAGE TO UTILITIES DURING CONSTRUCTION. METRO DOES NOT ASSUME RESPONSIBILITY FOR REIMBURSEMENT, PARTICIPATION IN DESIGN AND/OR REVISIONS, OR LIABILITY FOR ACCURACY OF TYPE, SIZE, AND LOCATION OF ANY UTILITY.
- COORDINATE THE REQUIREMENTS FOR LOCATION, PROTECTION, AND/OR RELOCATION OF UTILITIES WITH THE UTILITY OWNER PRIOR TO STARTING WORK.
- ISOLATION JOINT BETWEEN FOOTING AND ADJACENT SIDEWALK OR IMPROVEMENTS SEE DETAIL 3 THIS SHEET.
- ELECTRICAL CONDUIT LOCATION. SEE D111 FOR DETAILS.
- SHELTER FOOTING REAR ANCHOR BY OTHERS. SEE DETAIL 2 FOR MINIMUM EDGE DISTANCE FROM BACK OF FOOTING.
- ANCHOR ROD (4 TYP, BY OTHERS). 1" φ S. S. THREADED ROD. 8 1/4" MIN EMBED. EPOXY WITH HILTI HIT-HY 150 ADHESIVE, WITH 6" MIN EDGE DISTANCE. FOLLOW HILTI INSTALLATION INSTRUCTIONS.
- FOR INTERIM INSTALLATION OF A STANDARD SHELTER FRAME ON A RAPIDRIDE FOOTING, ALSO INSTALL AN ELECTRICAL CONDUIT AT THIS LOCATION. (REAR RIGHT SHELTER LEG.)
- SEE GROUNDING ELECTRODE INSTALLATION DETAILS ON SHEET D111 FOR SHELTERS TO RECEIVE SOLAR LIGHTS. IF FOOTING IS DESIGNATED FOR BOTH INTERIM STANDARD SHELTER AND FUTURE RAPIDRIDE SHELTER, TERMINATE EACH END OF THE GROUNDING ELECTRODE AT EACH SHELTER LEG LOCATION.

I:\DOT\kingcounty\dot\trains\DOT\CAD_Folders\Projects\passenger_facilities\standard_details\2021-2022\standard_details\101.dwg | Layout: D101
 PLOTTED: May 19, 2022 9:06:59pm By: dbernett
 XREFS: KCMTD-BORDER.dwg

KCMT 2021-2022 STANDARD DETAILS					
No.	REVISION	BY	APPD	DATE	



DESIGNED: K. CHANG YUEN	APPROVED: P. ENG
DRAWN: L. ANDERSON	PROJECT NO.:
CHECKED: K. CHANG YUEN	CONTRACT NO.:
CHECKED: C. ASQUITH	



METRO TRANSIT CAPITAL DIVISION
 TRANSIT PASSENGER FACILITIES - IMPROVEMENTS
 RAPIDRIDE SHELTER
 FOOTING PLAN, SECTIONS AND DETAILS

DATE: 05/2022
DRAWING NO: D101
SHEET NO. OF 4 20