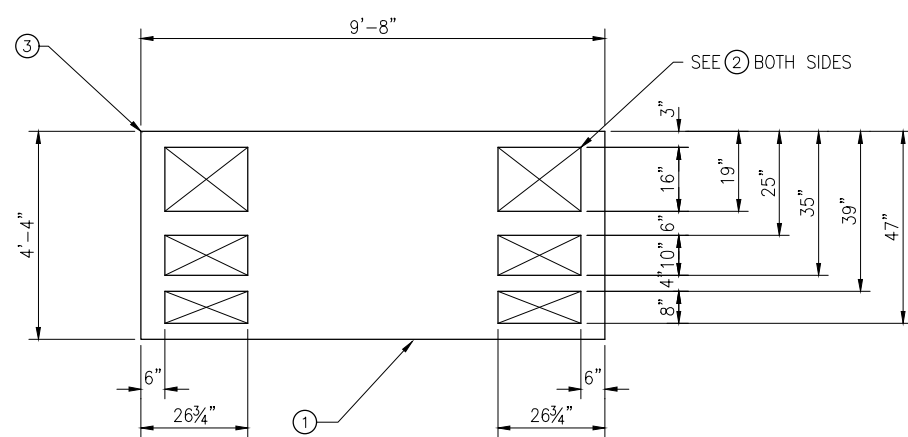


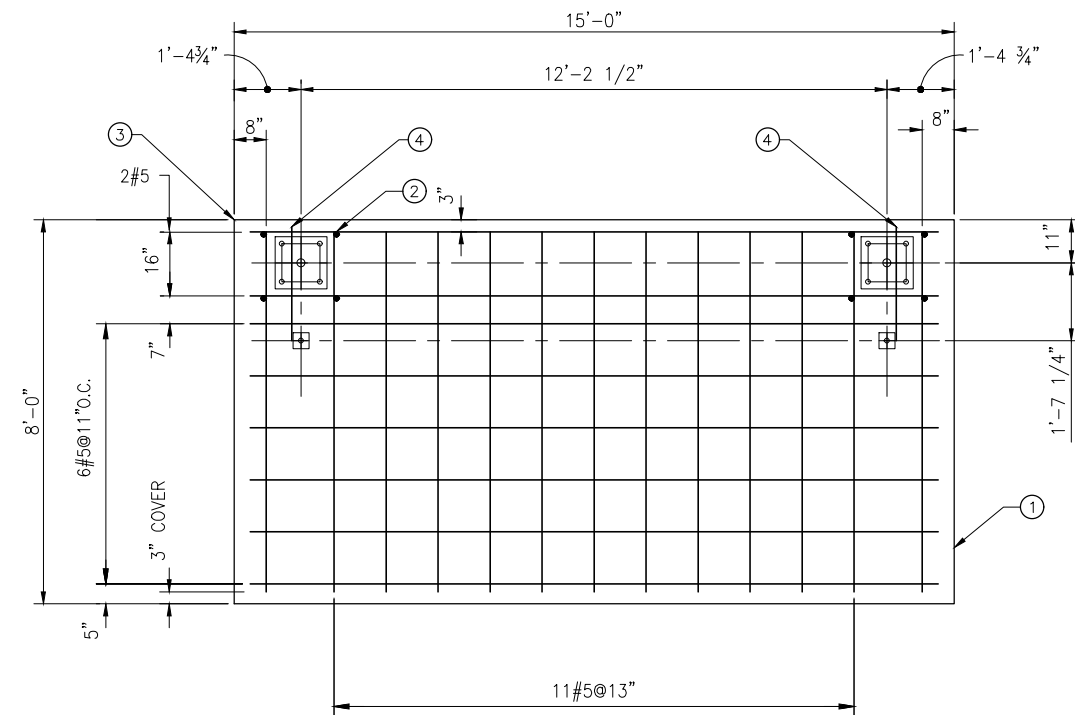
RAPIDRIDE RR-15 SHELTER FOOTING (FOR RR206/RR208/RR208B)  
REBAR BLOCKOUTS FOR SHELTER ANCHOR BOLTS

DETAIL 1  
SCALE: NONE



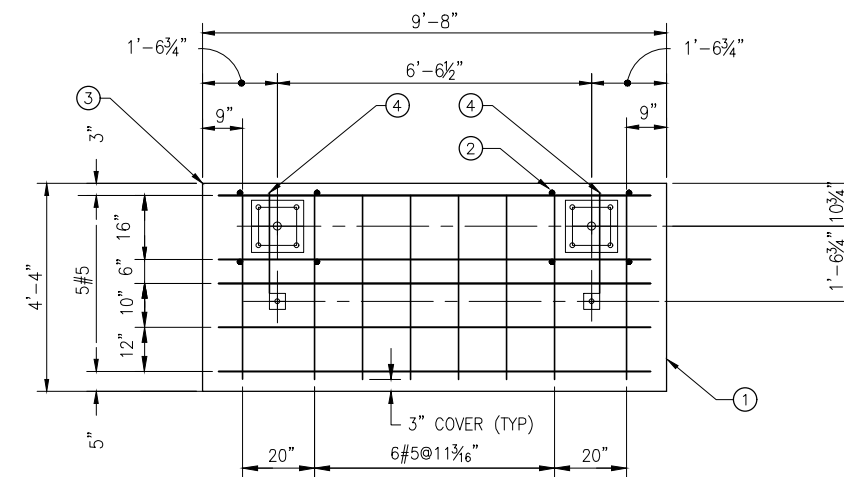
RAPIDRIDE RR-10 SHELTER FOOTING  
REBAR BLOCKOUTS FOR SHELTER ANCHOR BOLTS

DETAIL 2  
SCALE: NONE



RAPIDRIDE RR-15 SHELTER FOOTING (FOR RR206/RR208/RR208B)

DETAIL 3  
SCALE: NONE



RAPIDRIDE RR-10 SHELTER FOOTING (RR124/RR125/RR126)  
REINFORCEMENT LAYOUT DETAILS

DETAIL 4  
SCALE: NONE

CONSTRUCTION NOTES

- JOINT PER DET 3/D101 TO ISOLATE EDGES FROM PAVEMENT, SIDEWALKS, OR OTHER STRUCTURES.
- #4 VERTICAL EPOXY-COATED BARS 6" EMBEDMENT INTO SOIL FOR RESTRAINT (TYP).
- POINT OF REFERENCE, (SEE NOTE 1/D101).
- 20" LONG #5 REBAR @ 6" OFFSET FROM THE ADJACENT REBAR. BOTH TOP & BOTTOM LAYERS.

I:\DOT\kingcounty\dot\transit\DCCAD\_Folders\Projects\passenger\_facilities\standard\_details\2021-2022 standard details\D101A.dwg | Layout: D101A  
 PLOTTED: May 19, 2022 10:17:16pm By: dbernett  
 XREFS: KCMTD-BORDER.dwg IMAGES:

KCMT 2021-2022 STANDARD DETAILS				
No.	REVISION	BY	APP'D	DATE



DESIGNED: K. CHANG YUEN	APPROVED: P. ENG
DRAWN: L. ANDERSON	PROJECT NO.:
CHECKED: K. CHANG YUEN	CONTRACT NO.:
CHECKED: C. ASQUITH	



METRO TRANSIT CAPITAL DIVISION TRANSIT PASSENGER FACILITIES - IMPROVEMENTS		DATE: 05/2022
RAPIDRIDE SHELTER FOOTING REBAR LAYOUT DETAILS		DRAWING NO: D101A
		SHEET NO. OF 5 20