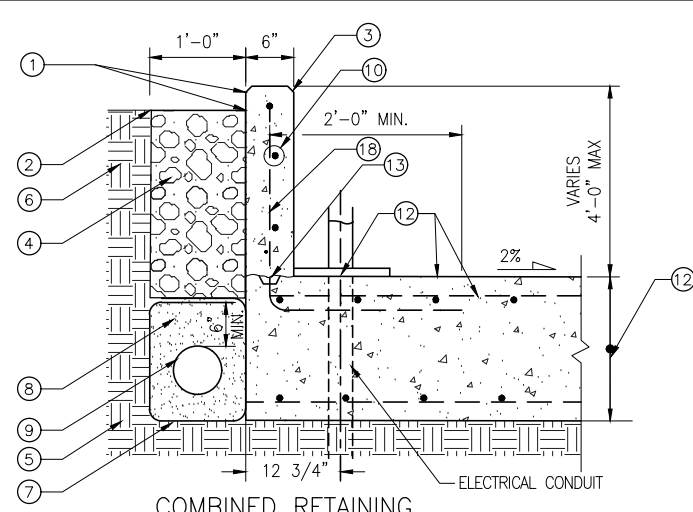
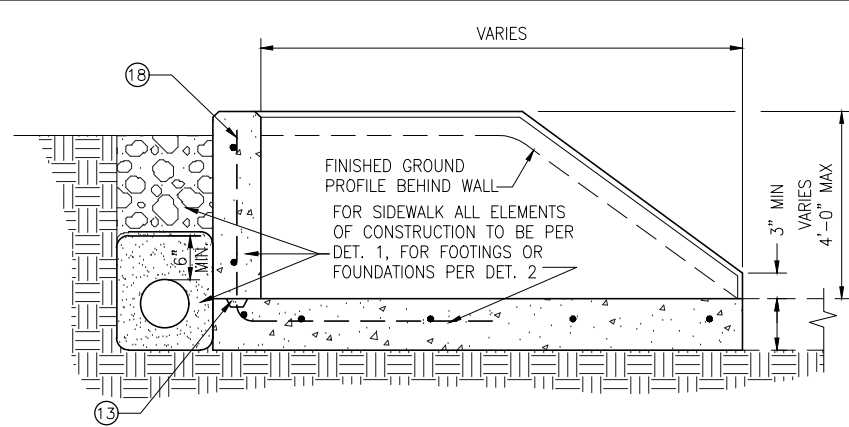


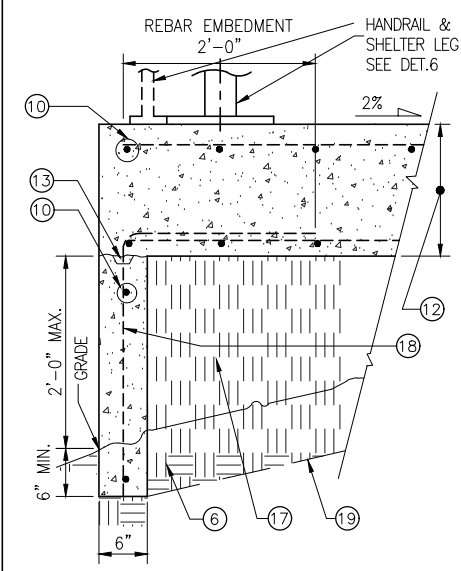
COMBINED RETAINING WALL - SIDEWALK
 DETAIL
 SCALE: NTS



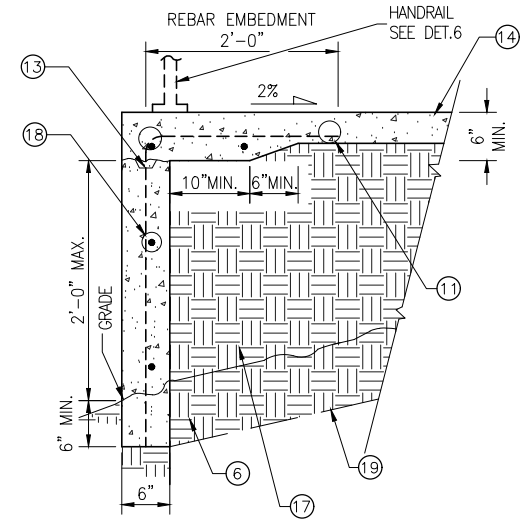
COMBINED RETAINING WALL - 2' SHELTER FOOTING
 DETAIL
 SCALE: NTS



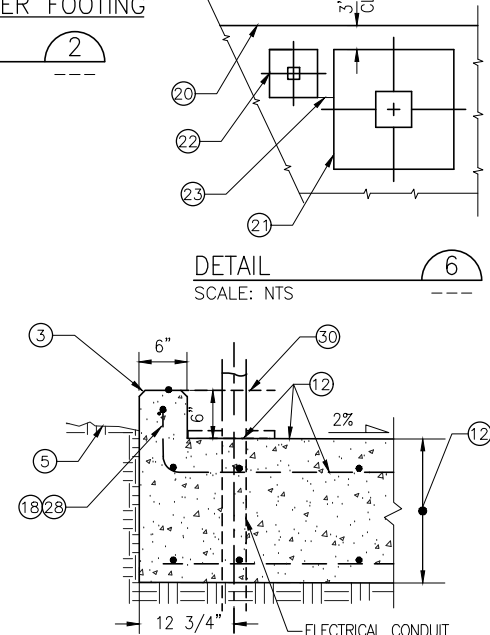
RETAINING WALL WITH WING WALL FOR COMBINATION FOOTINGS, FOUNDATIONS OR SIDEWALKS
 DETAIL
 SCALE: NTS



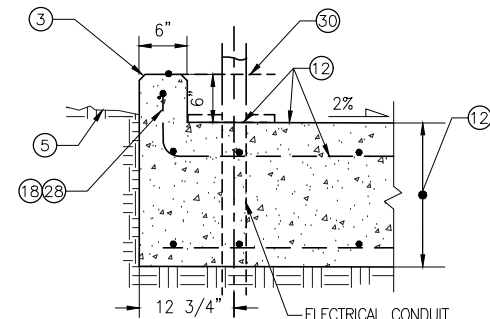
COMBINED FILL WALL - SHELTER FOOTING
 DETAIL
 SCALE: NTS



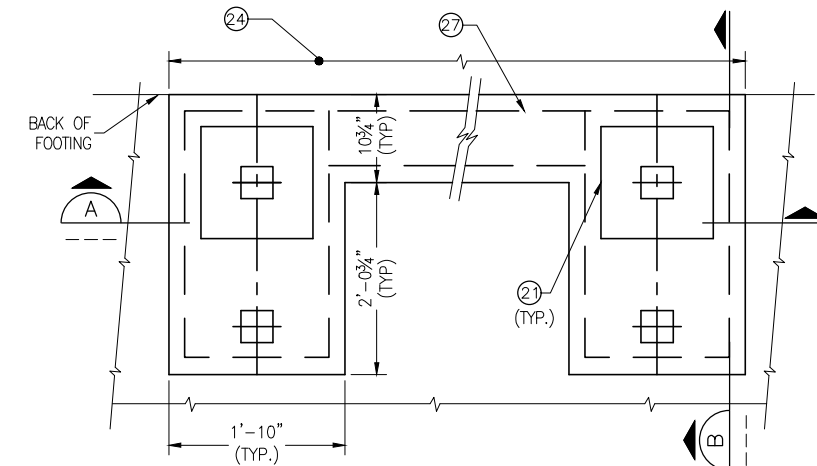
COMBINED FILL WALL - SIDEWALK
 DETAIL
 SCALE: NTS



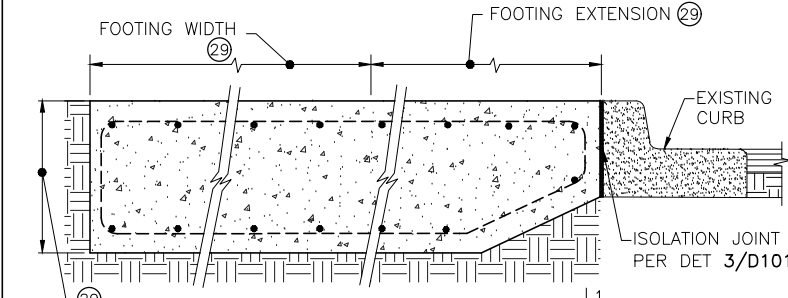
COMBINED 6" CURB AND FOOTING
 DETAIL
 SCALE: NTS



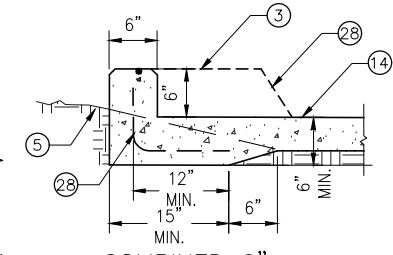
COMBINED 6" CURB AND FOOTING
 DETAIL
 SCALE: NTS



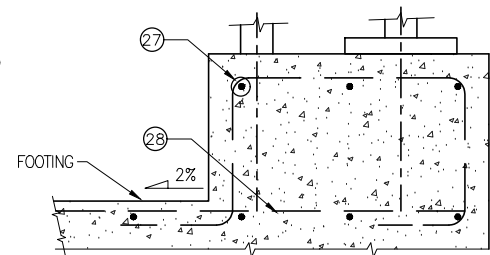
STUB WALL PLAN
 DETAIL
 SCALE: NTS



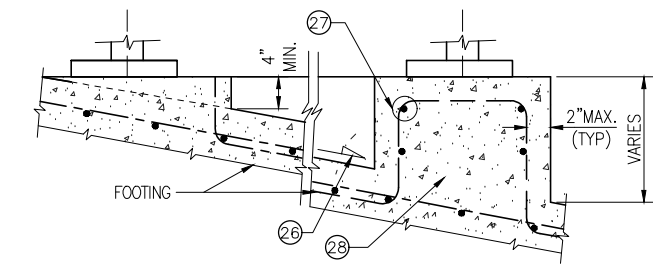
COMBINED FILL WALL - SHELTER FOOTING
 DETAIL
 SCALE: NTS



COMBINED 6" CURB AND SIDEWALK
 DETAIL
 SCALE: NTS



SECTION A
 SCALE: NTS



SECTION B
 SCALE: NTS

- GENERAL NOTES**
- DRAIN PIPE NOT REQUIRED FOR WALLS 3 FEET HIGH OR LESS. SEE SITE PLANS FOR DAYLIGHTING DETAILS.
 - TOP OF WALLS TO MATCH THE LONGITUDINAL SLOPE OF FOOTINGS AND SIDEWALK.
 - JOINT PER DET 3/D101 TO ISOLATE SHELTER FOOTING EDGES FROM PAVEMENT, SIDEWALKS, OR OTHER STRUCTURES.
- CONSTRUCTION NOTES**
- TOP OF WALL 3" ABOVE FINISHED GRADE.
 - RESTORE SURFACE TO ORIGINAL OR BETTER CONDITION.
 - 3/4" CHAMFER FOR ALL EXPOSED EDGES.
 - 4" - 6" QUARRY SPALLS
 - UNDISTURBED SOIL
 - UNDISTURBED SOIL OR COMPACTED NATIVE SOIL OR STRUCTURAL FILL IF NEEDED.
 - FILTER FABRIC AND DRAIN PIPE FOR WALLS HIGHER THAN 3'-0"
 - 1" MINUS WASHED ROCK
 - 4" SCH 40 PERFORATED PVC PIPE FOR WALLS HIGHER THAN 3'-0"
 - # 4 @ 12" OC E.W. WITH 2" COVER. SEE 4/D106 FOR REBARS AT WALL CORNERS
 - # 4 @ 12" OC WITH 3" COVER
 - SEE SITE PLAN AND DWG D101 OR D103 FOR SHELTER FOOTING DETAILS. 12 3/4" FROM BACK OF WALL TO CENTERLINE OF ELECTRICAL CONDUIT.
 - IF WALL/FOOTING NOT CONSTRUCTED MONOLITHICALLY, ROUGHEN TOP SURFACE OF SLAB UNDER WALL, CLEAN AND COAT WITH CONCRETE EPOXY BONDING COMPOUND OR PROVIDE A 1" DEEP BY 4" WIDE CONTINUOUS KEYWAY.
 - NEW SIDEWALK OR SIDEWALK EXTENSION PER CITY STANDARD DETAIL BEYOND THE THICKENED EDGE SHOWN.
 - SEE DETAIL 1 FOR SIDEWALK OR 2 FOR SHELTER FOOTING
 - FINISHED GROUND PROFILE BEHIND WING WALL
 - STRUCTURAL FILL COMPACTED TO 90% OF PROCTOR
 - REINFORCEMENT BARS CONTINUOUS BETWEEN WALL OR CURB AND FOOTING OR SIDEWALK. DOWELLING THE WALL OR CURB TO THE FOOTING SHALL NOT BE ACCEPTABLE.
 - TAPER SIDEWALK TO EDGE OF FOOTING OR SIDEWALK EXTENSION.
 - BACK EDGE OF FILL WALL
 - TYPICAL 12" X 12" RAPIDRIDE SHELTER REAR LEG SHOE PLATE (BY OTHERS). PLACE REBARS TO AVOID INTERFERENCE WITH ANCHOR BOLTS. SEE DETAILS ON SHEET D101A & D101B.
 - TYPICAL HANDRAIL POST BASE PLATE. PLACE FOOTING REBARS TO AVOID INTERFERENCE WITH ANCHORS. SEE DET 3/D107 FOR BOLT PATTERN.
 - 2" CLEARANCE AT EITHER SIDE OF SHELTER REAR LEG SHOE PLATE
 - 8'-4 1/2" FOR SHELTERS RR-125 AND RR-126, 14'-0 1/2" FOR LARGE SHELTERS.
 - NOT USED
 - 5% SLOPE OR MORE
 - REINFORCEMENT SAME AS FOOTING, # 5 @ 12" MAX E.W. PLACE AS NECESSARY TO AVOID INTERFERENCE WITH SHOE PLATE ANCHORS. SEE DET 1/D101 FOR BOLT PATTERN.
 - IF THE WALL OR CURB IS NOT CONSTRUCTED MONOLITHICALLY, CONSTRUCT THE FOOTING OR SIDEWALK SLAB WITH THE REINFORCEMENT BARS FOR THE WALL OR CURB IN PLACE, THEN ROUGHEN THE FOOTING OR SIDEWALK SURFACE AND CLEAN AND COAT WITH CONCRETE EPOXY BONDING AGENT PRIOR TO PLACING THE WALL OR CURB. DOWELLING THE WALL OR CURB TO THE FOOTING OR SIDEWALK SHALL NOT BE ACCEPTABLE.
 - DIMENSIONS VARY. SEE ZONE PLAN FOR FOOTING TYPE AND EXTENSION LENGTH AND DWG D101 OR D103 FOR OTHER FOOTING DETAILS.

I:\DOT\kingcounty\dot\transit\CCAD_Facilities\standard_details\passenger_facilities\standard_details\2021-2022\standard_details\0104.dwg | Layout: D104
 PLOTTED: May 19, 2022 9:10:01pm By: dbernet
 XREFS: KCMTD-BORDER.dwg IMAGES

KCMT 2021-2022 STANDARD DETAILS				
No.	REVISION	BY	APPD	DATE



DESIGNED: K. CHANG YUEN	APPROVED: P. ENG
DRAWN: L. ANDERSON	PROJECT NO.:
CHECKED: K. CHANG YUEN	CONTRACT NO.:
CHECKED: C. ASQUITH	



METRO TRANSIT CAPITAL DIVISION		DATE: 05/2022
TRANSIT PASSENGER FACILITIES - IMPROVEMENTS		DRAWING NO.:
SECTIONS AND DETAILS		D104
SHEET NO. OF		10 20