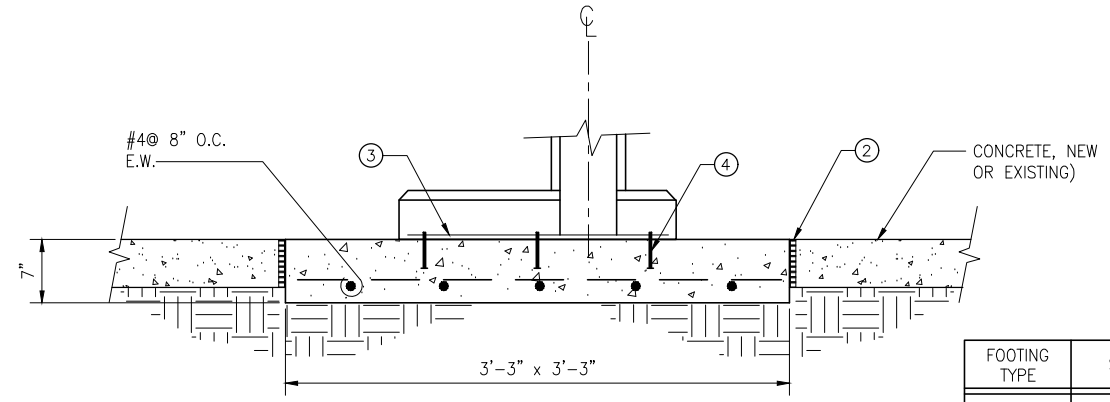


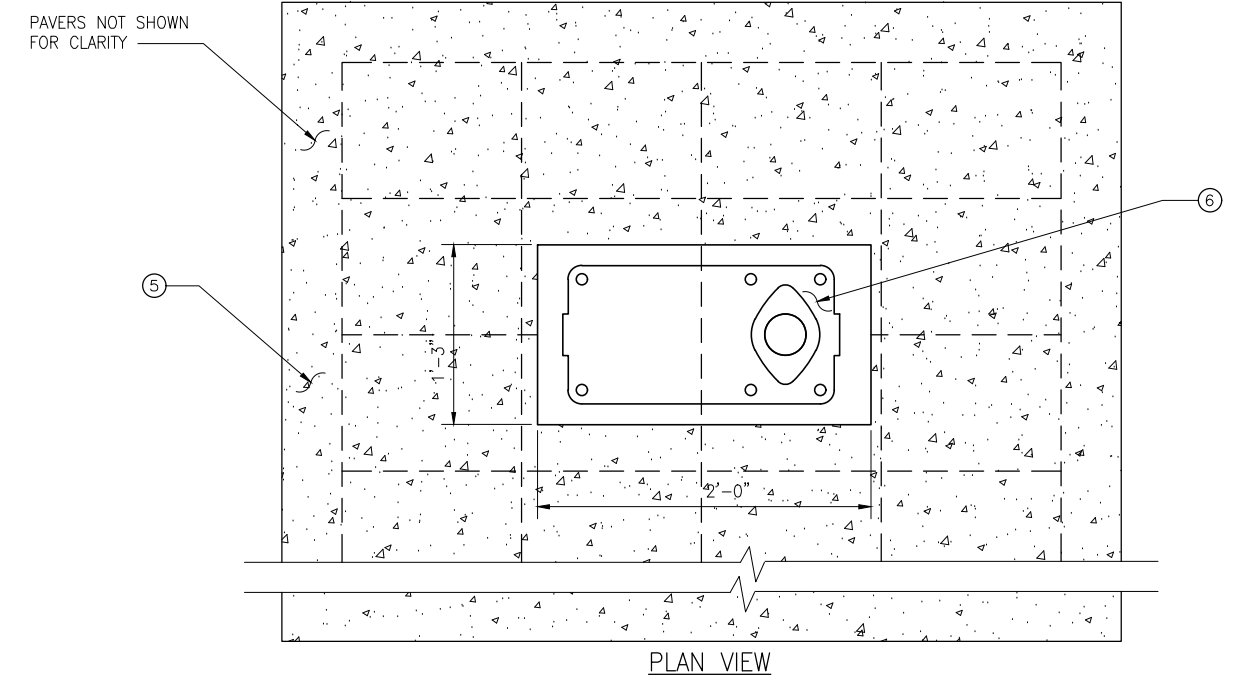
TYPE I SIGN FOOTING
ELEVATION
DETAIL
SCALE: NONE



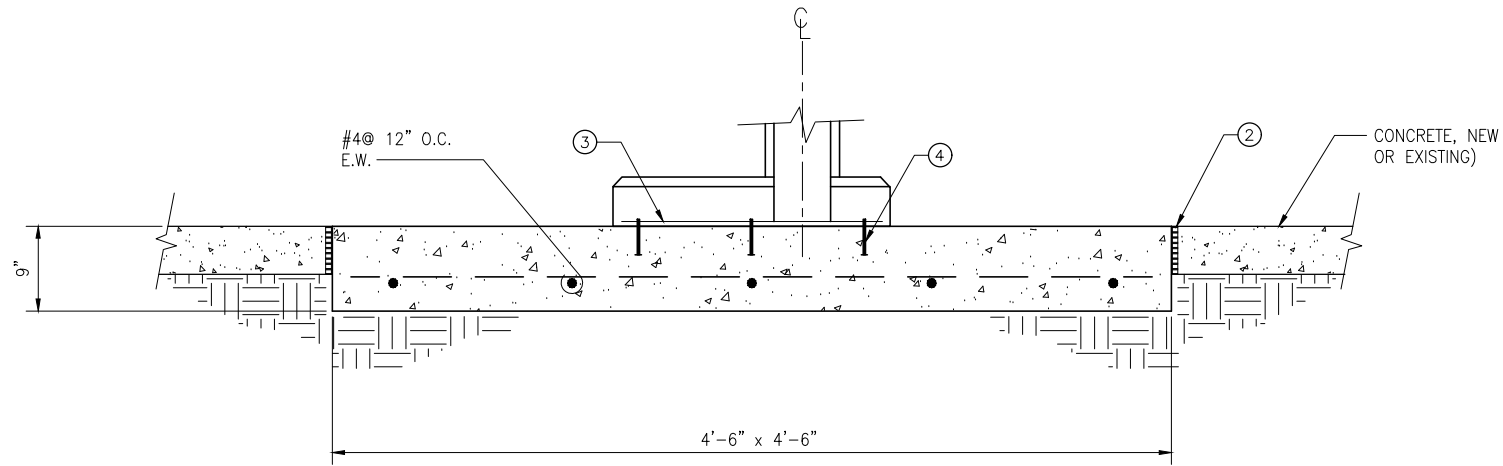
TYPE II SIGN FOOTING
ELEVATION
DETAIL
SCALE: NONE

FOOTING TYPE	SIGN TYPES
TYPE I	B1, C1, C2, D1
TYPE II	D1
TYPE III	B1, C1, C2

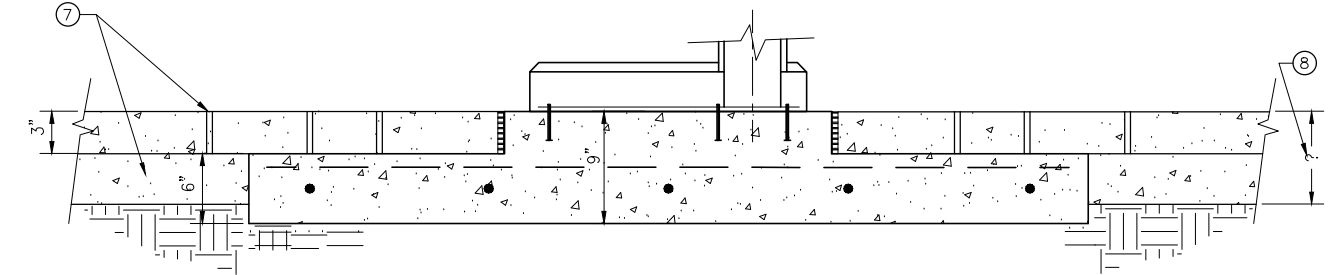
- CONSTRUCTION NOTES**
- TOP OF CONCRETE FOOTING FLUSH WITH EXISTING FINISHED GRADE ALL AROUND.
 - JOINT PER 3/D101 TO ISOLATE ALL EDGES FROM PAVEMENT, SIDEWALKS, AND OTHER STRUCTURES.
 - BASE PLATE, ANCHOR BOLTS AND SIGN INSTALLATION (BY OTHERS).
 - 3/4" S.S. THREADED ROD, TYP. 4" MIN EMBED, (6) PER SIGN. USE HILTI-HIT-RE 500-SD TO EPOXY ANCHORS IN PLACE. PROVIDE LEVELING NUTS AND NON-METALLIC NON-SHRINK GROUT TO SET SIGN PLUMB AND LEVEL (BY OTHERS).
 - SEE SITE PLAN FOR FOOTING DIMENSIONS AND TYPE.
 - SEE SITE PLAN FOR SIGN TYPE AND PLATE INSTALLATION DETAILS.
 - EXISTING PAVERS AND SIDEWALK STRUCTURE. SEE SITE PLAN FOR DETAILS AND PAVERS REMOVAL AND REINSTALLATION INSTRUCTIONS.
 - UNLESS SHOWN OTHERWISE IN THE SITE PLAN, T=9" FOR TYPE III FOOTING AND 7" FOR TYPE II FOOTING.



PLAN VIEW



TYPE III SIGN FOOTING
ELEVATION
DETAIL
SCALE: NONE



ELEVATION
TYPE II OR TYPE III SIGN FOOTING UNDER PAVERS
DETAIL
SCALE: NONE

KCMT 2021-2022 STANDARD DETAILS				
No.	REVISION	BY	APP'D	DATE



DESIGNED: K. CHANG YUEN	APPROVED: P. ENG
DRAWN: L. ANDERSON	PROJECT NO.:
CHECKED: K. CHANG YUEN	CONTRACT NO.:
CHECKED: C. ASQUITH	



METRO TRANSIT CAPITAL DIVISION TRANSIT PASSENGER FACILITIES - IMPROVEMENTS	DATE: 05/2022
SIGN FOOTING DETAILS	DRAWING NO: D104A
	SHEET NO. OF 11 20

I:\DOT\kingcounty\dot\transit\DC\CAD_Folders\Projects\passenger_facilities\standard_details\2021-2022 standard details\D104A.dwg | Layout: D104A
 PLOTTED: May 19, 2022 9:08:09pm By: dbernet
 XREFS: KCMTD-BORDER.dwg IMAGES: